

RC171JA2

Indoor Ceiling Mount DALI Presence Detector

RC171 ceiling mount presence detectors bring energy saving and automatic lighting control intelligently to home and office with ease and comfort.

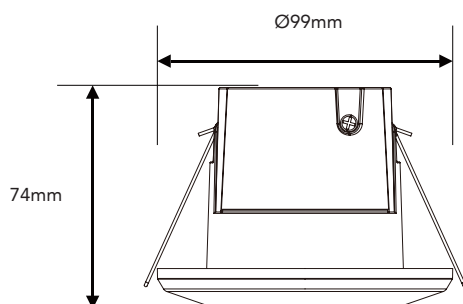


Specifications

Model Name	RC171JA2
Product Name	Ceiling Mount DALI (Broadcast) Presence Detector
Rated Voltage	220-240VAC, 50/60Hz
Operating Temperature	-20°C ~ +45°C
Rated Load	DA+ , DA- / Output Max.100mA
Rated Protection	IP20
Detection Range	Ø8m at 2.5m height, 20°C
Detection Angle	360°
Time Setting	30 sec - 60 min
Lux Setting	10 - 2000 lux
Standby Time	30 sec - 30 min
Standby %	Fixed at 20%
Operation Mode / Function	Auto / Test / Teach-in / Push-button Dim / Standby / Auto Dimmer / Soft Start-Fade out / Presence

Specification is subject to change without notice.

Dimension



Detection

